

HYPERNOVA
SPACE TECHNOLOGIES



THERMAL TESTING

High Altitude / Space Vacuum
Environments

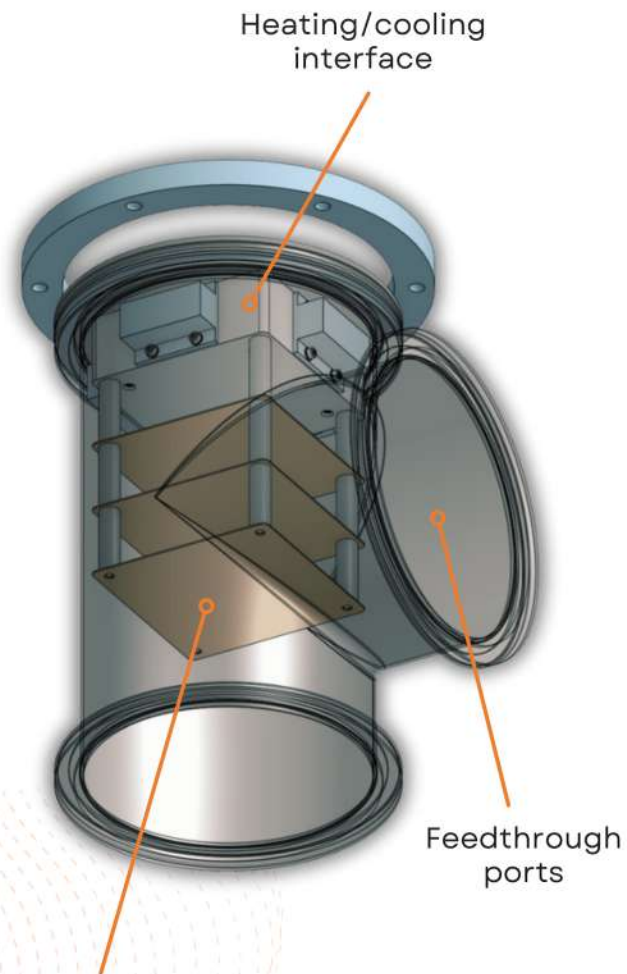
contact@hypernovaspace.com

Suite 2i Arun Place, Cherrywood Gardens,
Somerset West, 7130, South Africa

LESS PAIN. MORE GAIN.

Specifications

Working volume	200 mm dia. x 350 mm
Pressure	up to 1E-5 mbar
Temperature range	-35 to +100 deg C
Adaptable mounting brackets	Yes
Temperature sensors	Yes
Power supplies, data acquisition & monitoring	Yes
Customisable connectors & harnessing	Yes
24/7 backup power	Yes



Test Article Stacking

(170 x 170 mm x 3 layers)

Test multiple articles simultaneously for maximum utility & shorter test campaigns



Assorted electrical feedthroughs

- 2x Multi-pin 32 contacts, 1 kV, 3A max
- 1x High-power 4 contacts, 6kV, 27A max
- 1x High-power 2 contact, 10kV, 55A max
- 1x Dual BNC grounded shield, 500V, 3.6A max



Standard connections per multi-pin feedthrough:
D-sub connectors (9-pin, 15-pin and 25-pin)